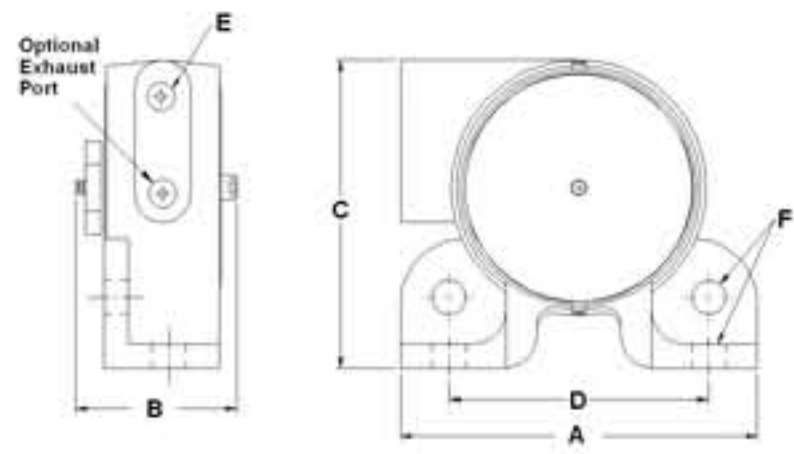


VBC 110



A 5-1/2" (14cm)

B 2-13/16" (7.1cm)

C 4-3/4" (12.1cm)

D 4" (10.2cm)

E 1/4" NPT

F 1/2" (1.3cm)

Weight

4.80 lbs.

Unbalance

.351 in-lbs (58 cm-kg)

AIR CNSMP @ 80 psi ; 5.4bar

25 cfm ; 708 lpm

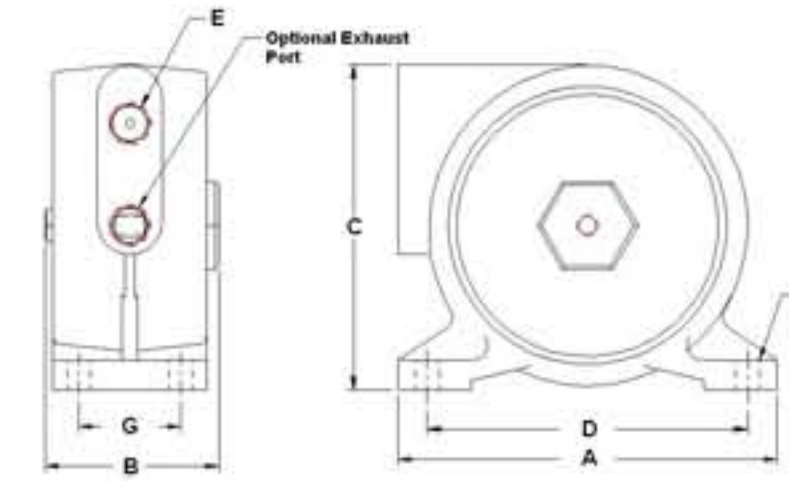
FREQ. @ 80 psi ; 5.4bar

7,500 VPM

Force @ 80 psi ; 5.4 bar

560 lbf (2,486.4N)

VBD 130



A 6-1/2" (16.5cm)

B 2-9/16" (6.5cm)

C 4-3/4" (12.1cm)

D 5-1/2" (14cm)

E 3/8" NPT

F 3/8" (.9cm)

G 1-1/4" (3.2cm)

Weight

6.00 lbs.

Unbalance

.654 in-lbs (109 cm-kg)

AIR CNSMP @ 80 psi ; 5.4bar

50 cfm ; 850 lpm

FREQ. @ 80 psi ; 5.4bar

7,000 VPM

Force @ 80 psi ; 5.4 bar

910 lbf (4040.4N)

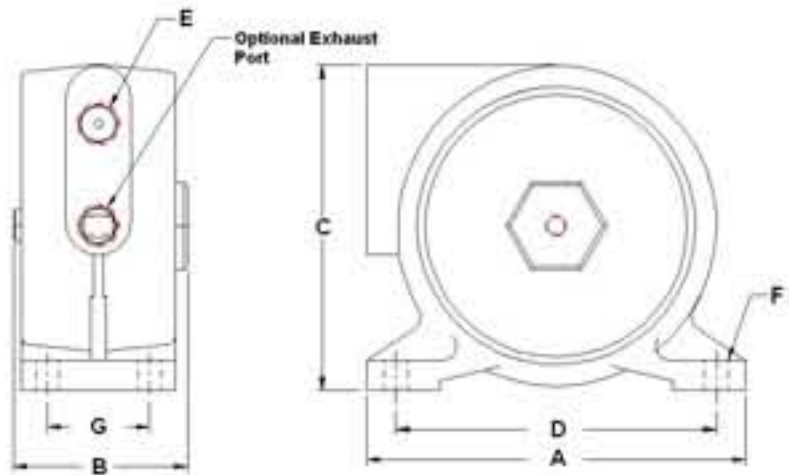
上海欣帆机电科技有限公司

电话: 021-62255510

www.shinfan.com



VBD 150



A 6-1/2" (16.5cm)

B 3" (7.6cm)

C 5-1/2" (14cm)

D 5-1/2" (14cm)

E 3/8" NPT

F 3/8" (.9cm)

G 1-3/4" (4.4cm)

Weight

7.80 lbs.

Unbalance

1.22 in-lbs (202 cm-kg)

AIR CNSMP @ 80 psi ; 5.4bar

40 cfm ; 1133 lpm

FREQ. @ 80 psi ; 5.4bar

5,200 VPM

Force @ 80 psi ; 5.4 bar

935 lbf (4151.4N)

