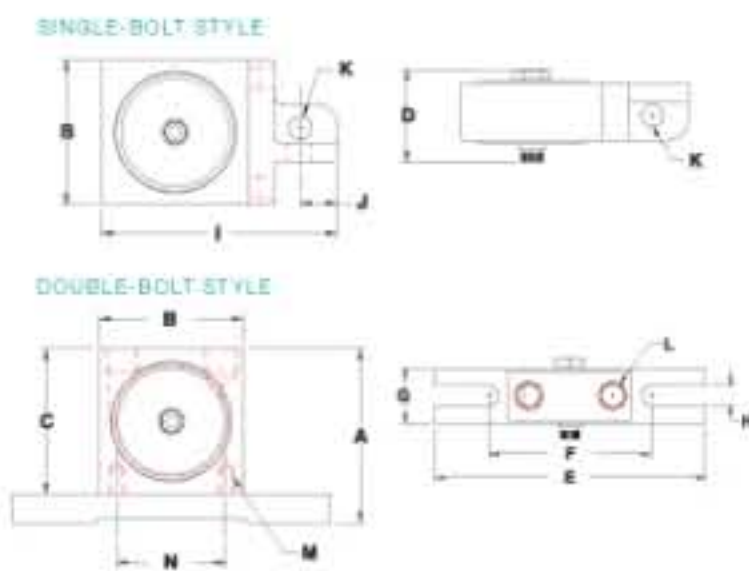


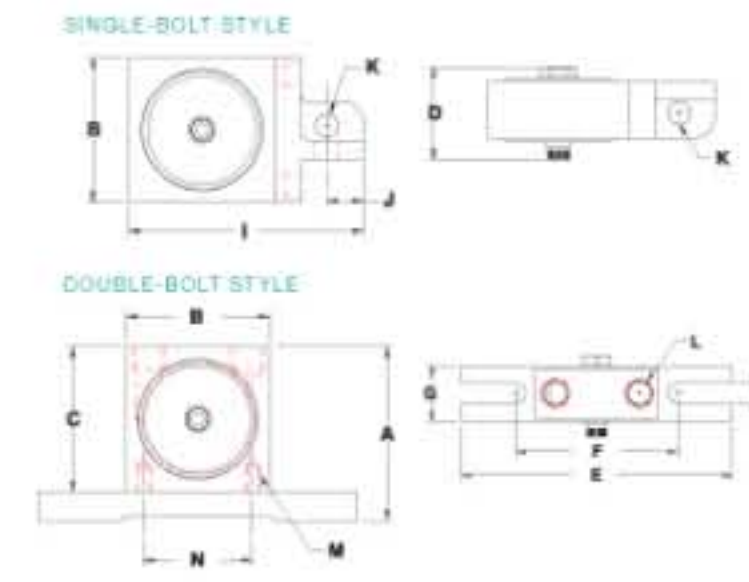
### CVT-A-50-1 SINGLE BOLT MOUNT



A	3" (7.62cm)	B	2-1/2" (6.35cm)
C	2-1/2" (6.35cm)	D	1-5/8" (4.13cm)
E	5-1/2" (13.97cm)	F	3-5/16" (8.41cm)
G	1-1/8" (2.86cm)	H	13/32" (1.03cm)
I	4" (10.16cm)	J	5/8" (1.59cm)
K	13/32" (1.03cm)	L	1/4" NPT
M	1/4-20 THREAD	N	1-7/8" (4.76cm)

<b>Weight</b>	<b>Unbalance</b>	<b>AIR CNSMP @ 80 psi ; 5.4bar</b>
1.20 lbs.	.044 in-lbs (.052 cm-kg)	5 cfm ; 142.6 lpm
<b>FREQ. @ 80 psi ; 5.4bar</b>	<b>Force @ 80 psi ; 5.4 bar</b>	
14,560 VPM	265 lbf (1,176.6 N)	

### CVT-A-80-1 SINGLE BOLT MOUNT



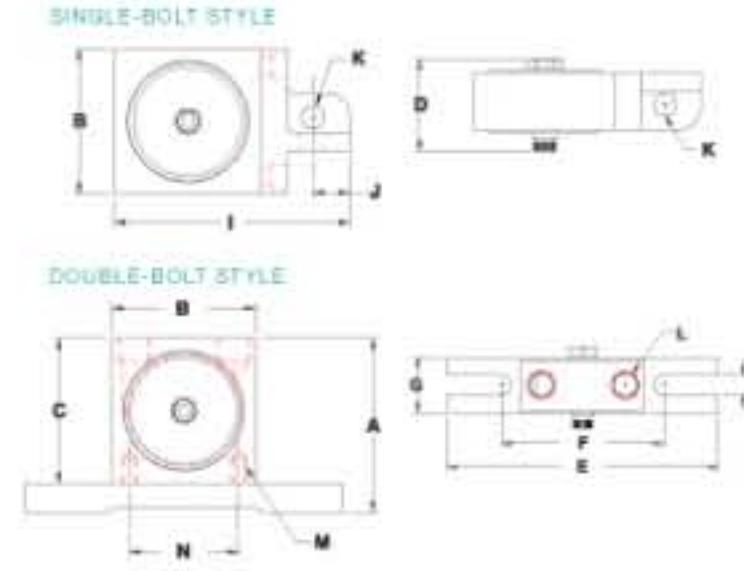
A	4" (10.16cm)	B	3-1/2" (8.89cm)
C	3-1/2" (8.89cm)	D	2-1/4" (5.72cm)
E	6-1/4" (15.88cm)	F	4-1/2" (11.43cm)
G	1-5/8" (4.13cm)	H	9/16" (1.43cm)
I	5-11/16" (14.45...)	J	1/2" (1.27cm)
K	17/32" (1.35cm)	L	1/4" NPT
M	5/16-24 THREAD	N	2-7/8" (7.30cm)

<b>Weight</b>	<b>Unbalance</b>	<b>AIR CNSMP @ 80 psi ; 5.4bar</b>
2.60 lbs.	.194 in-lbs (.229 cm-kg)	5.2 cfm ; 147.9 lpm
<b>FREQ. @ 80 psi ; 5.4bar</b>	<b>Force @ 80 psi ; 5.4 bar</b>	
10,255 VPM	579.4 lbf (2,572.5 N)	

上海欣帆机电科技有限公司  
 电话: 021-62255510  
[www.shinfan.com](http://www.shinfan.com)



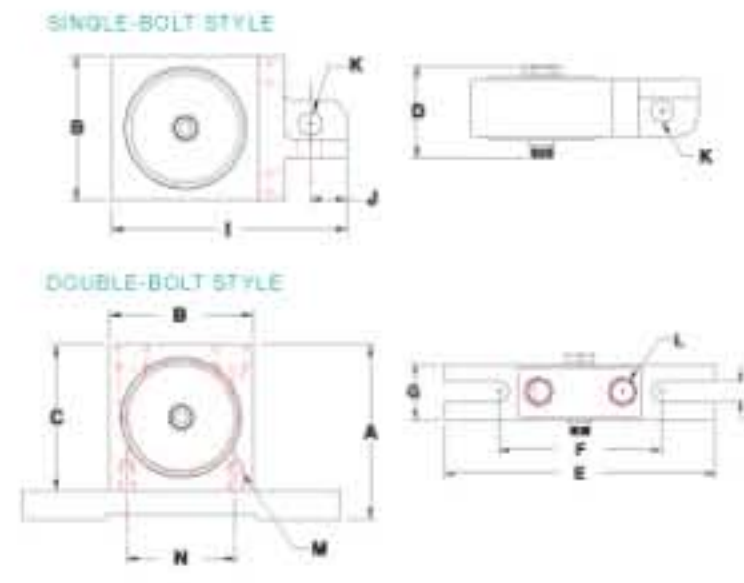
### CVT-A-50-2 DOUBLE BOLT MOUNT



A	3" (7.62cm)	B	2-1/2" (6.35cm)
C	2-1/2" (6.35cm)	D	1-5/8" (4.13cm)
E	5-1/2" (13.97cm)	F	3-5/16" (8.41cm)
G	1-1/8" (2.86cm)	H	13/32" (1.03cm)
I	4" (10.16cm)	J	5/8" (1.59cm)
K	13/32" (1.03cm)	L	1/4" NPT
M	1/4-20 THREAD	N	1-7/8" (4.76cm)

<b>Weight</b>	<b>Unbalance</b>	<b>AIR CNSMP @ 80 psi ; 5.4bar</b>
1.20 lbs.	.044 in-lbs (.052 cm-kg)	5 cfm ; 142.6 lpm
<b>FREQ. @ 80 psi ; 5.4bar</b>	<b>Force @ 80 psi ; 5.4 bar</b>	
14,560 VPM	265 lbf (1,176.6 N)	

### CVT-A-80-2 DOUBLE BOLT MOUNT



A	4" (10.16cm)	B	3-1/2" (8.89cm)
C	3-1/2" (8.89cm)	D	2-1/4" (5.72cm)
E	6-1/4" (15.88cm)	F	4-1/2" (11.43cm)
G	1-5/8" (4.13cm)	H	9/16" (1.43cm)
I	5-11/16" (14.45...)	J	1/2" (1.27cm)
K	17/32" (1.35cm)	L	1/4" NPT
M	5/16-24 THREAD	N	2-7/8" (7.30cm)

<b>Weight</b>	<b>Unbalance</b>	<b>AIR CNSMP @ 80 psi ; 5.4bar</b>
2.60 lbs.	.194 in-lbs (.229 cm-kg)	5.2 cfm ; 147.9 lpm
<b>FREQ. @ 80 psi ; 5.4bar</b>	<b>Force @ 80 psi ; 5.4 bar</b>	
10,255 VPM	579.4 lbf (2,572.5 N)	